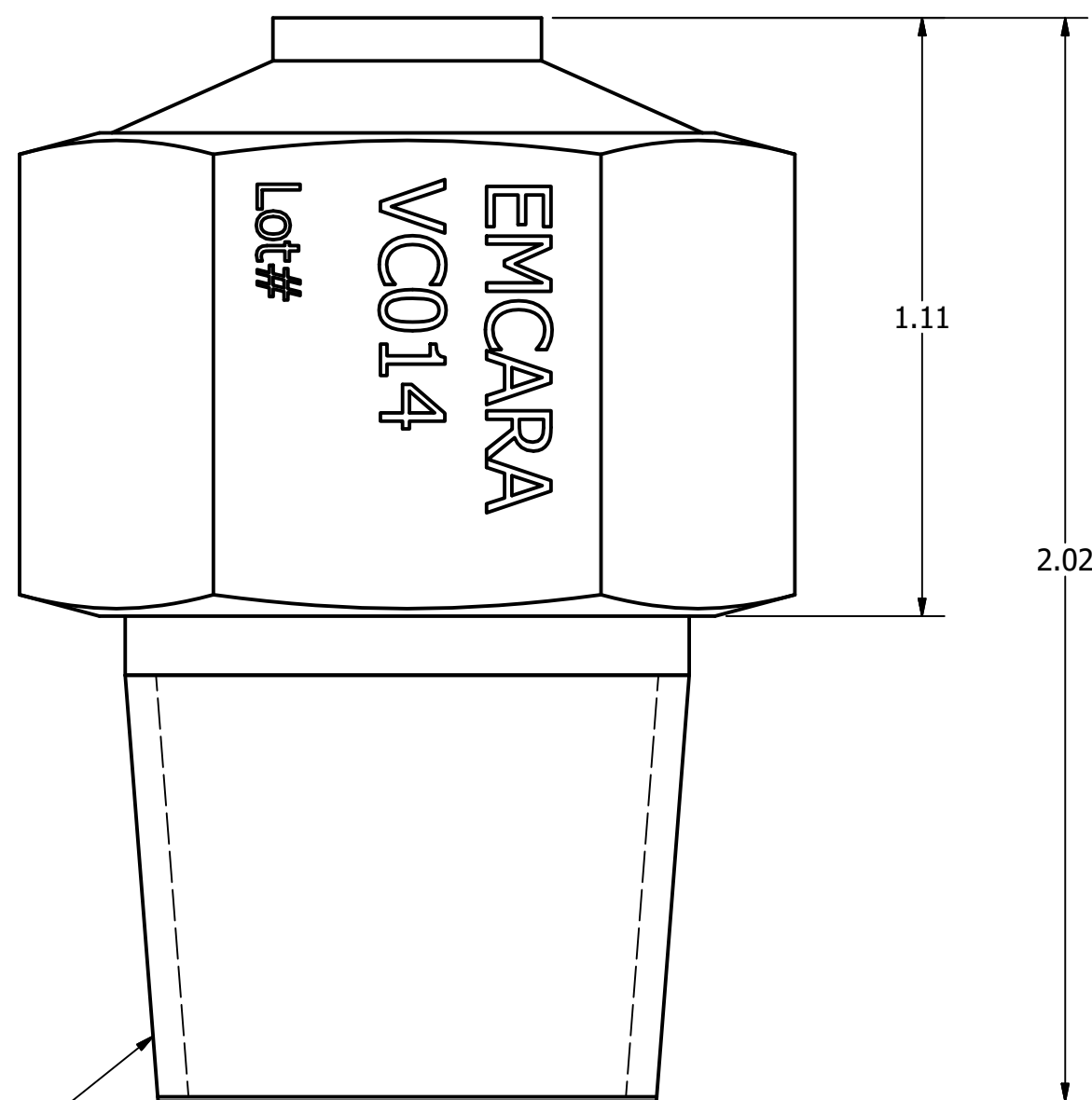


CONNECTION: THREADS DIRECTLY INTO 3/4" NPT FITTING


NOMINAL CRACKING PRESSURE: 10 - 20 PSI



3/4" MALE NPT

NOTES:

1. ALL EXTERNAL MATERIALS ARE STAINLESS STEEL
2. VITON O-RING ON POPPET

<b>THIS DRAWING CONTAINS PROPRIETARY INFORMATION AND MAY NOT BE DISCLOSED WITHOUT PRIOR WRITTEN CONSENT.</b>			
UNLESS OTHERWISE STATED: ALL DIMENSIONS ARE IN IMPERIAL INCHES TOLERANCE: ONE PLACE DEC. = ±.05 TWO PLACE DEC. = ±.01 THREE PLACE DEC. = ±.005 ANGLE = ± 1'		 <b>EMCARA</b> GAS DEVELOPMENT INC.	
MATERIAL:			
FINISH:		SIZE C	DWG. NO. VC005B
DO NOT SCALE DRAWING		SCALE: 3 : 1	WEIGHT: N/A
		SHEET 1 OF 1	REV NC