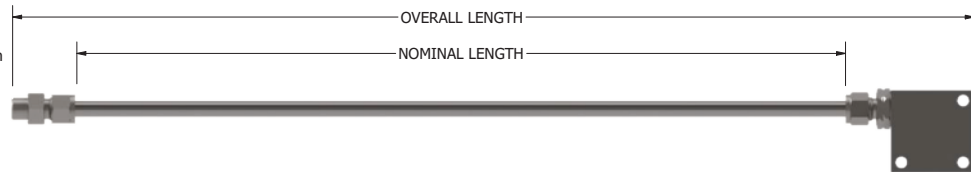
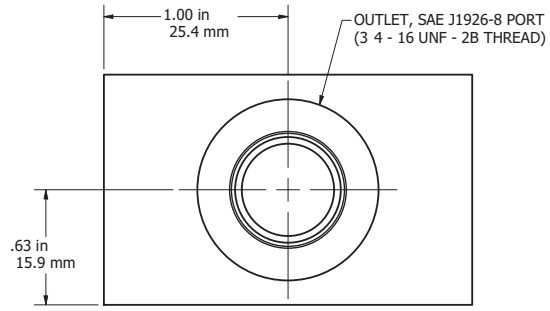
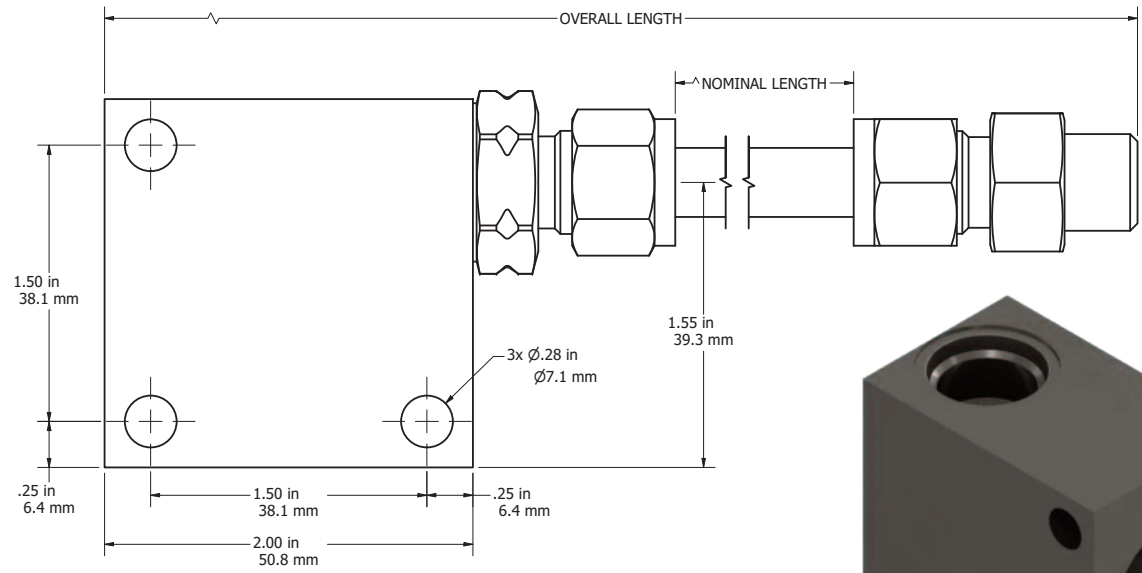
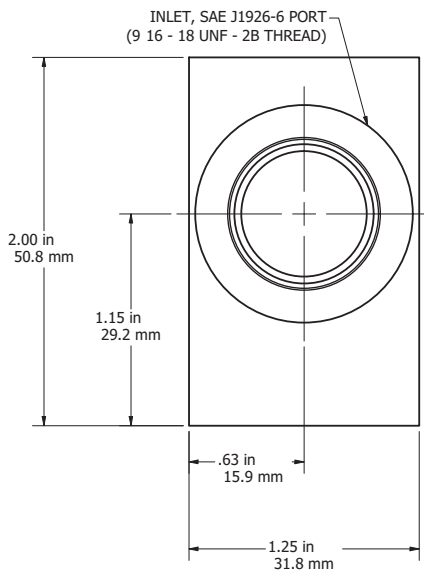


PERFORMANCE:

- ACTIVATION TIME: 20-30 SECONDS
- FLOW RATE: 90 SCFM (PER PRD1)
- MINIMUM ACTIVATION LENGTH: 18" 450 mm (DEPENDING ON CONFIGURATION)
- ACTIVATION TEMPERATURE: 130°C ± 10°C
- LEAK RATE: 1.0 * 10⁻⁵ SCCS
- SERVICE PRESSURE: 5076 PSI 350 BAR
- CERTIFIED TO ANSI PRD 1-2013 AT 3600 PSI



LT162			
PART NUMBER	NOMINAL LENGTH	OVERALL LENGTH	TOLERANCE
LT168 - 036	36 in 914.4 mm	39.34 in 999.2 mm	± 0.25
LT168 - 048	48 in 1219.2 mm	51.34 in 1304.0 mm	± 0.25
LT168 - 060	60 in 1524.0 mm	63.34 in 1608.8 mm	± 0.25
LT168 - 072	72 in 1828.8 mm	75.34 in 1913.6 mm	± 0.25
LT168 - 084	84 in 2133.6 mm	87.34 in 2218.4 mm	± 0.25
LT168 - 096	96 in 2438.4 mm	99.34 in 2523.2 mm	± 0.25
LT168 - 108	108 in 2743.2 mm	111.34 in 2827.0 mm	± 0.25
LT168 - 120	120 in 3048.0 mm	123.34 in 3132.8 mm	± 0.25
LT168 - 132	132 in 3352.8 mm	135.34 in 3437.6 mm	± 0.25
LT168 - 144	144 in 3657.6 mm	147.34 in 3742.4 mm	± 0.25
LT168 - 156	156 in 3962.4 mm	159.34 in 4047.2 mm	± 0.25
LT168 - 168	168 in 4267.2 mm	171.34 in 4352.0 mm	± 0.25
LT168 - 180	180 in 4572.0 mm	183.34 in 4656.8 mm	± 0.25
LT168 - 192	192 in 4876.8 mm	195.34 in 4961.6 mm	± 0.25
LT168 - 204	204 in 5181.6 mm	207.34 in 5266.4 mm	± 0.25
LT168 - 216	216 in 5486.4 mm	219.34 in 5571.2 mm	± 0.25
LT168 - 228	228 in 5791.2 mm	231.34 in 5876.0 mm	± 0.25
LT168 - 240	240 in 6096.0 mm	243.34 in 6180.8 mm	+ 0.5 in - 0.25 in



WETTED MATERIALS, EXTERIOR:

- 304 AND 316 STAINLESS STEEL

WETTED MATERIALS, GAS:

- 416 STAINLESS STEEL
- 304 AND 316 STAINLESS STEEL
- FLUOROCARBON

UNLESS OTHERWISE STATED:
 ALL DIMENSIONS ARE IN IMPERIAL INCHES
 TOLERANCE:
 ONE PLACE DEC. = ±.05
 TWO PLACE DEC. = ±.01
 THREE PLACE DEC. = ±.005
 ANGLE = ± 1'
 MATERIAL:
 FINISH:
 DO NOT SCALE DRAWING



TITLE:
 STAINLESS STEEL PRESSURE RELIEF DEVICE
 SIZE DWG. NO. REV
 C LT-168-XXX NC
 SCALE: 2 WEIGHT: N A SHEET 1 OF 1